

# STEINER™

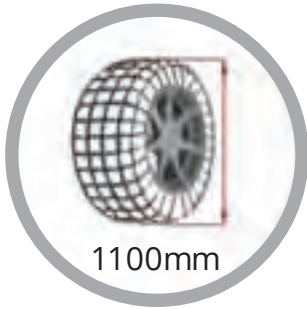
## ST270 TYRE CHANGER



The Steiner ST270 is the perfect option for Car Dealerships, Workshops and Garages that have a tyre changing facility or want to get into changing tyres. Available with or without a helper arm and a ramping range of 11" - 24", it is an extremely versatile machine.

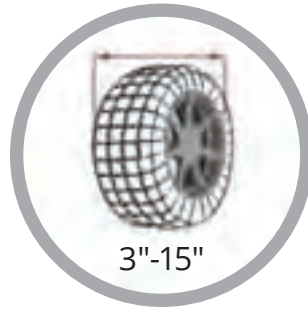
[www.steinerequipment.com](http://www.steinerequipment.com)

# Steiner ST270 Tyre Changer



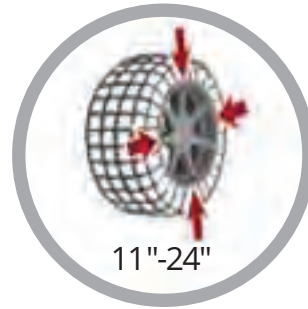
1100mm

Maximum Wheel Diameter



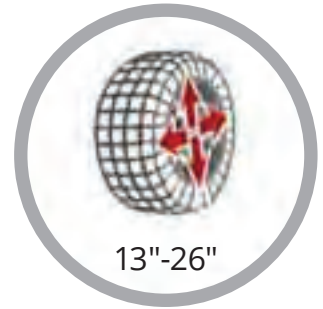
3"-15"

Wheel Width



11"-24"

Rim Clamping from outside



13"-26"

Rim Clamping from inside

## Standard Equipment:

- Tyre Lever
- Pressure Gauge
- Plastic Covers
- Paste Bucket

## Optional Extras:

- Helper Arm
- Plastic Mounting Head
- Clamp adaptors for 8" wheels

## Technical Features:

› Power Supply	240V 50hz
› Rim clamping from outside	11" - 24"
› Rim clamping from inside	13" - 26"
› Maximum wheel diameter	1100mm
› Wheel width	3"-15"
› Operating pressure	8-10 bar
› Motor Power	0.75Kw
› Noise Level	<75dB
› Three phase two speed motor	
› Equipped with 200mm cylinder along with variable torque adjust bead breaker arm which can provide more bead breaker force, suitable for RSC tyres and run-flat tyres.	

## Measurements:

› Dimensions	1400mm W x 1800mm L x 2180mm H
› Weight	310kg

# STEINER™