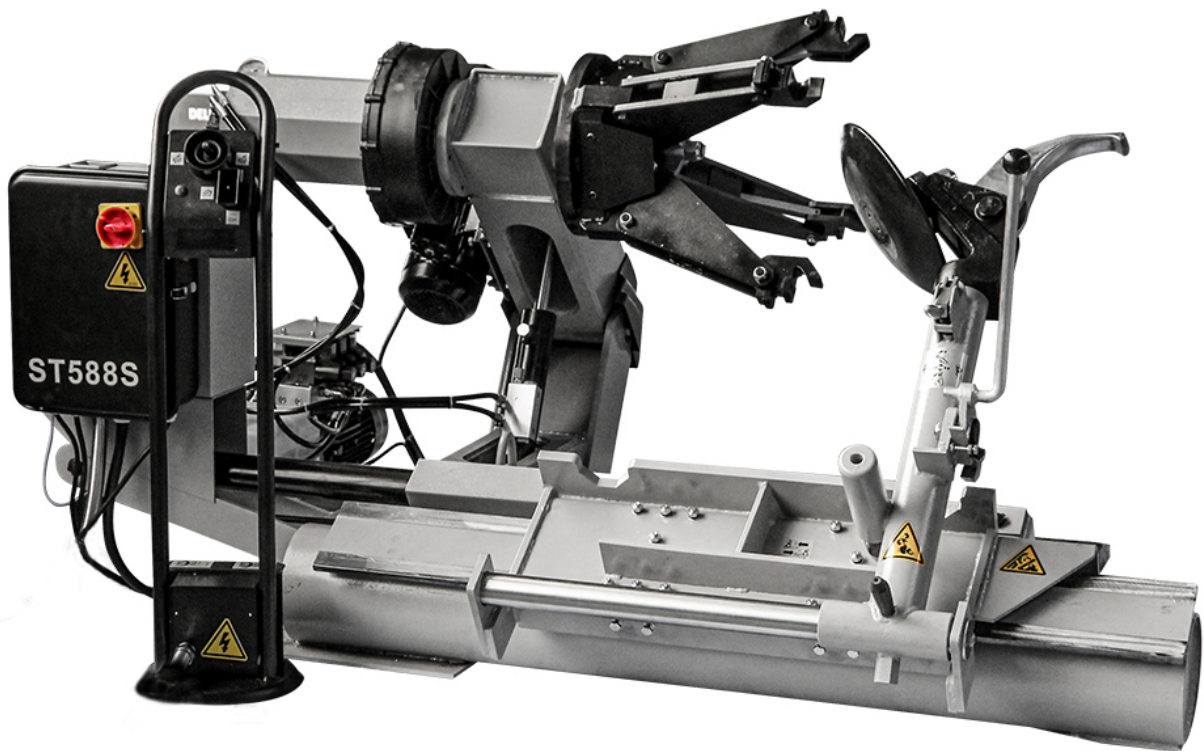


Treadway[®]
Equipped

**STEINER
ST588S Tyre
Changer**



The ST588S is built to the highest industry standards. Equip your workshop with this premium quality Truck Tyre Changer to become self-sufficient and save time and money.

STEINER[™]

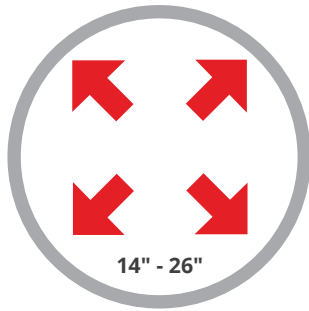
**Helping you do your job
the best way you can.**

Steiner ST588S Tyre Changer



1600 MM

Maximum Wheel Diameter



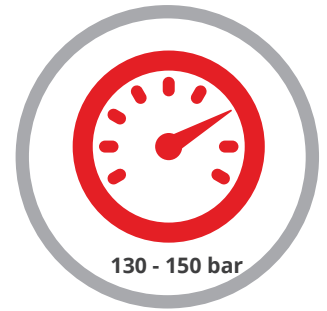
14" - 26"

Rim Diameter



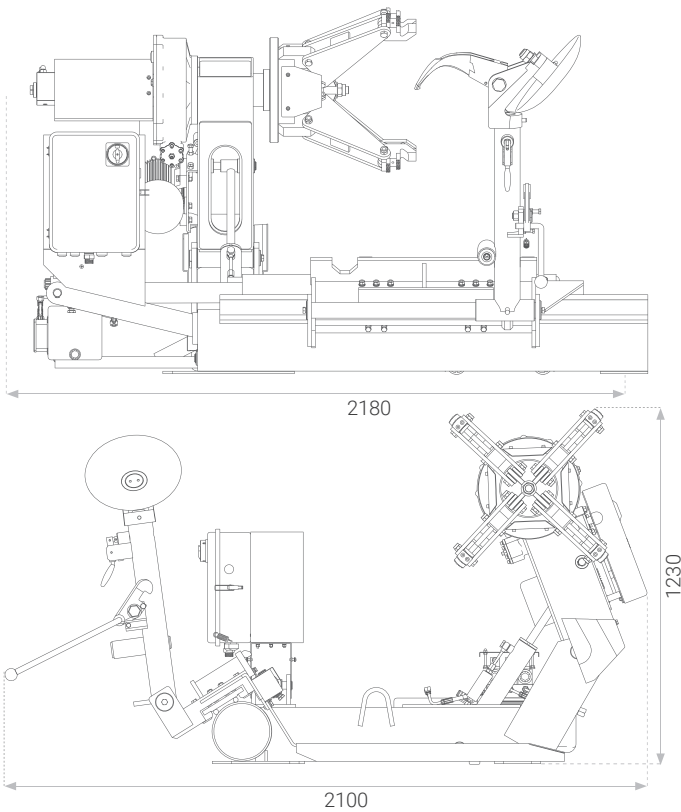
1000 MM

Rim Width



130 - 150 bar

Hydraulic Power



Standard Accessories:

Technical Features:

› Rim Diameter	14 - 26"
› Rim Width	1000mm
› Hydraulic Power	130-150 bar
› Maximum wheel diameter	1600mm
› Hydraulic Station Motor Power	1.5KW 380V/3PH 50HZ
› Main Shaft Motor Power	1.8KW 380V/3PH 50HZ
› Noise Level	<75dB
› Warranty	2 Years

Measurements:

› Dimensions (LxWxH)	2180x2100x1200 mm
› Net Weight	561kg
› Gross Weight	739kg



STEINER™